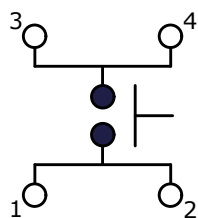
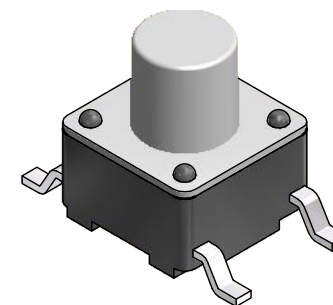
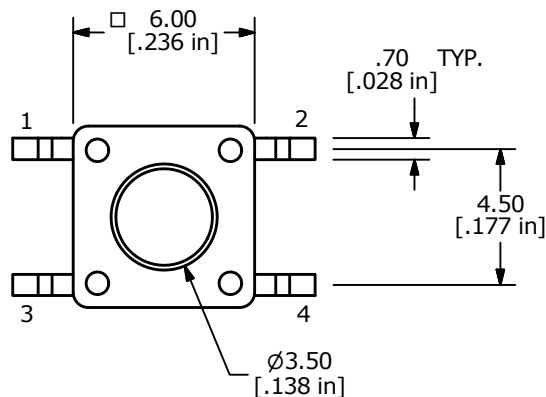
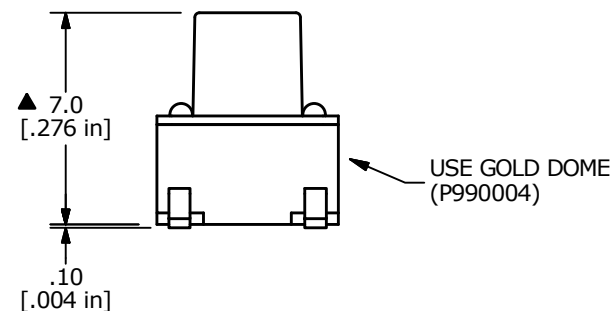
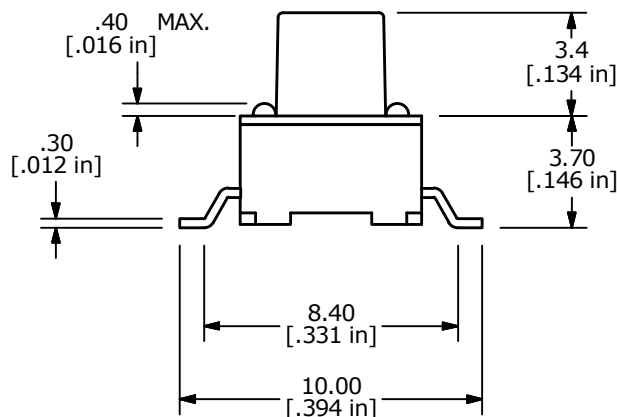


P.C.B. LAYOUT



CIRCUIT: SPST



NOTES:

1. ALL DIMENSIONS IN MM
2. GENERAL TOLERANCE: X.X = ±0.4  
X.XX = ±0.25
3. TERMINAL NUMBERS FOR REFERENCE ONLY.
4. RATING: 12VDC, 50mA
- ▲ 5. OPERATING FORCE: 260 ± 50 gms
6. TRAVEL: 0.25mm +0.2/-0.1mm
7. CONTACT RESISTANCE: 100 MILLI OHMS MAX. (INITIAL)
8. MECHANICAL/ELECTRICAL LIFE: 100,000 CYCLES MIN
- ▲ 9. CONTACT MATERIAL: GOLD
10. 2011/65/EU (ROHS) COMPLIANT
- ▲ 11. PACKAGING: TAPE AND REEL/750 PIECES PER
12. ▲ DENOTES CRITICAL PARAMETER



B	23159	Drawing Update, Force from 250 to 260gm	1/12/18	MW
A	17057	RELEASED FOR PRODUCTION	3/9/07	TN
REV	PCR NO	DESCRIPTION	DATE	BY

E-SWITCH®				
TITLE TL3301FF260RG				
SCALE	DATE	DR	DWG	REV
4:1	3/9/2007	TN	P010643	B

THE INFORMATION CONTAINED IN THIS DOCUMENT IS PROPRIETARY TO E-SWITCH AND IS NOT TO BE COPIED OR TRANSFERRED